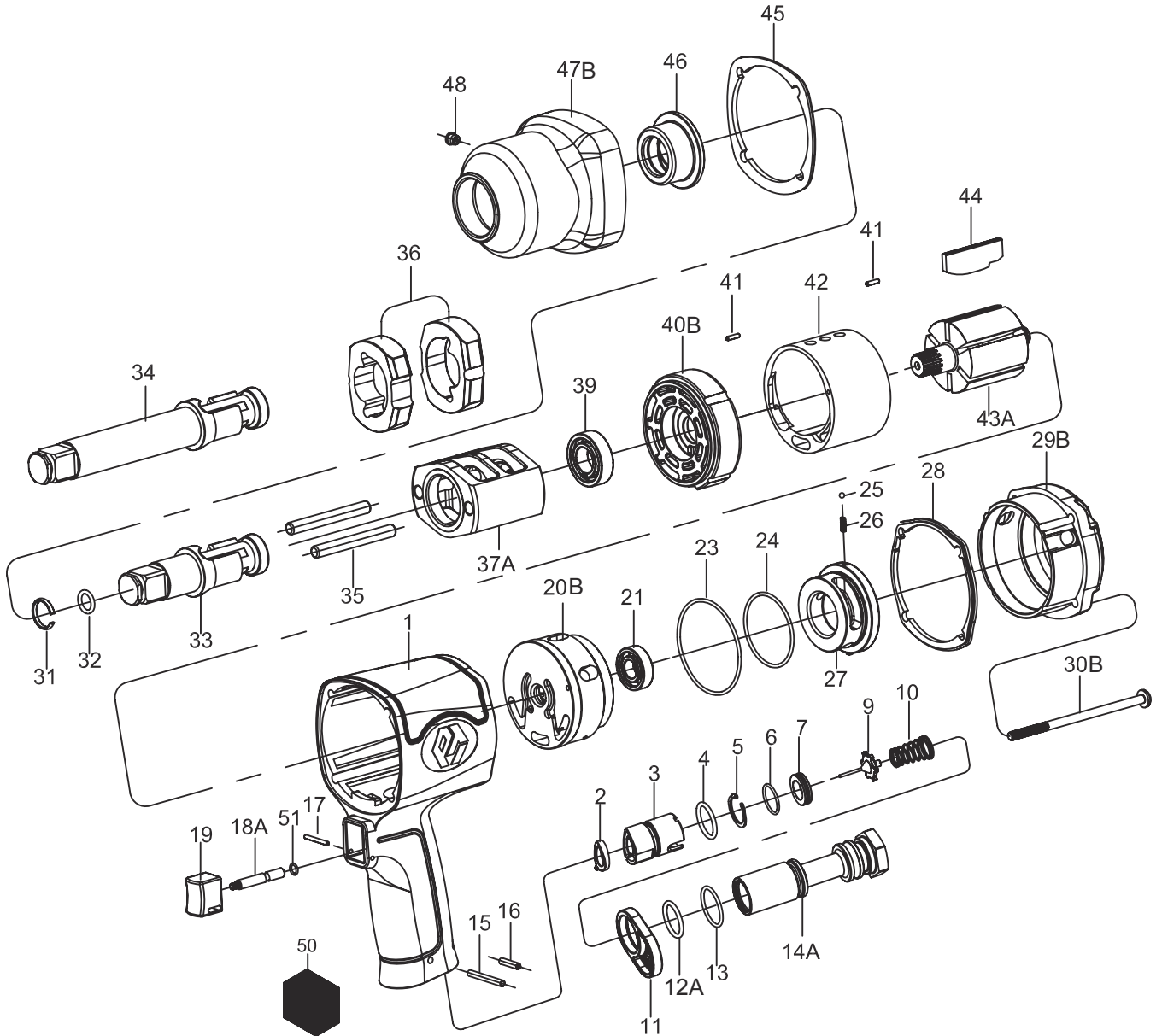


Technical Details	Speed	Square	Max. Torque	Length	Weight	Air Consumption	Air Inlet	Noise (DB)	Uncertainty(DB)	Vibration	Working Pressure
	RPM	Drive	Nm/ft-lb	mm/inch	kg/lb	LPM / CFM	inch	LpA LwA	KpA KwA	m/s ²	Bar / PSI
26200	5,700	3/4	1,900 (1,400)	250 (9.8)	3.9 (8.6)	215 (7.6)	3/8	98.8 109.8	3	4.69	6.3 (90)
26200L	5,700	3/4	1,900 (1,400)	355 (14)	4.3 (9.5)	215 (7.6)	3/8	97.8 108.8	3	5.11	6.3 (90)



Index No.	Description	Quantity	Index No.	Description	Quantity	Index No.	Description	Quantity
01	Motor Housing	1	18A	Trigger Pin	1	35	Hammer Pin	2
02	Valve O-Ring	1	19	Trigger	1	36	Hammer	2
03	Fuse Valve	1	20B	Real End Plate	1	37A	Hammer Cage	1
04	O-Ring (P17)	1	21	Bearing (6001)	1	39	Bearing (6003)	1
05	Retainer (IRTW-21)	1	23	O-Ring (S60)	1	40B	Front End Plate	1
06	O-Ring (φ17x1.7)	1	24	O-Ring (S42)	1	41	Pin (φ2.5X10)	2
07	Valve Bushing	1	25	Ball (1/8")	1	42	Cylinder	1
09	Throttle Valve Assembly	1	26	Spring	1	43A	Rotor	1
10	Air Inlet Spring	1	27	Reverse knob	1	44	Rotor Blade	6
11	Exhaust Deflector	1	28	Back Cap Gasket	1	45	Hammer Case Gasket	1
12A	O-Ring (φ20.5x3)	1	29B	Back Cap	1	46	Hammer Case Bushing	1
13	O-Ring (S24)	1	30B	Screw (12#-28x110L)	4	47B	Hammer Case	1
14A	Air Inlet	1	31	Socket Retainer	1	48	Grease Fitting	1
15	Pin (4*32)	1	32	Retainer O-Ring (P11)	1	50	Muffler	1
16	Pin (4*18)	1	33	Standard Anvil	1	51	O-ring (φ4x1)	1
17	Pin (2.5*22)	1	34	6" Extended Anvil	1			