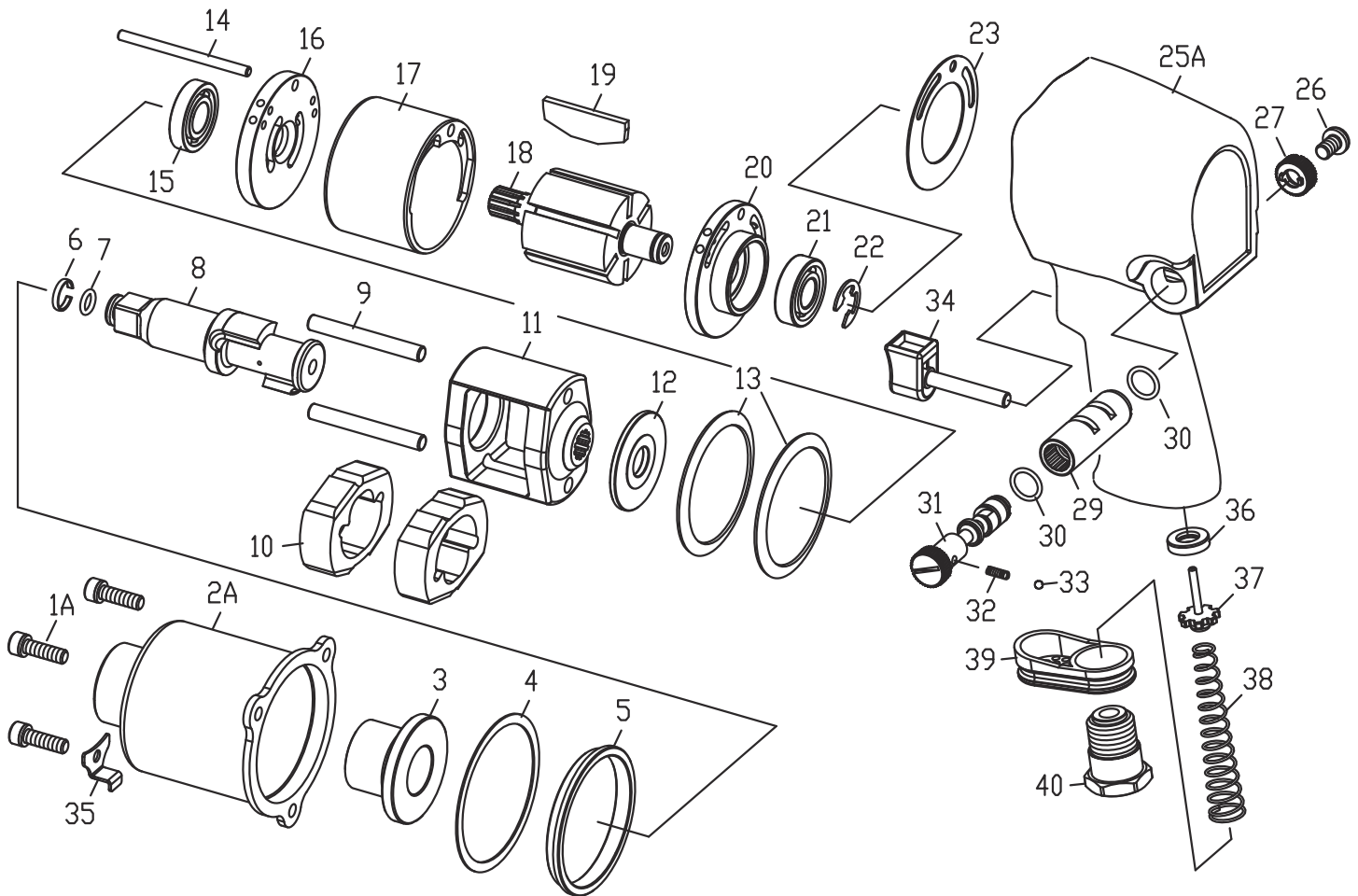


Technical Details	Speed	Square Drive	Max. Torque	Length	Weight	Air Consumption	Air Inlet	Noise (DB)	Uncertainty(DB)	Vibration	Working Pressure
	RPM		Nm/ft-lb	mm/inch	kg/lb	LPM / CFM	inch	LpA LwA	KpA KwA	m/s <sup>2</sup>	Bar / PSI
<b>242   2B</b> <b>242   2BL</b>	8,000	1/2 (Standard) 1/2 (2' Long)	745 (550)	185(7.3) 235(9.2)	2.6(5.7) 2.7(5.9)	113 (4.0)	1/4	100.7 111.7	3	2.97	63 (90)



Index Nr. Index No.	Beschreibung Description	Stück Quantity	Index Nr. Index No.	Beschreibung Description	Stück Quantity	Index Nr. Index No.	Beschreibung Description	Stück Quantity
1A	Screw	3	15	Ball Bearing	1	31	Reverse Valve	1
2A	Clutch Housing	1	16	Front End Plate	1	32	Spring	1
3	Anvil Bushing	1	17	Cylinder	1	33	Steel Ball	1
4	Front Gasket	1	18	Rotor	1	34	Trigger	1
5	Clutch Housing Pilot	1	19	Rotor Balde	6	35	Trigger Fixture	1
6	Anvil Collar	1	20	Rear End Plate	1	36	Throttle Bushing	1
7	O-Ring	1	21	Ball Bearing	1	37	Valve Stem	1
8	Anvil	1	22	E-Ring	1	38	Spring	1
8A	2" Anvil	1	23	End Plate Gasket	1	39	Muffle Cover	1
9	Hammer Pin	2	25A	Motor Housing	1	40	Hose Fitting	1
10	Hammer Dog	2	26	Screw	1			
11	Hammer Cage	1	27	Reverse Valve Knob	1			
12	Hammer Washer	1	28	Grease Fitting	1			
13	Disc Spring	2	29	Valve Sleeve	1			
14	Cylinder Pin	1	30	O-Ring	2			

\* Parts #08 need to be assembled along with #06 & #07 (#06 & #07 can be individual purchasing)

\* Parts #02A need to be assembled along with #03 (#03 can be individual purchasing)