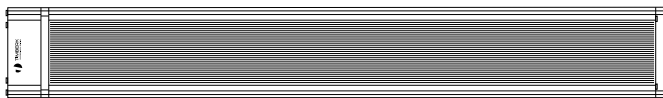




## Instruction manual Руководство по эксплуатации

*Инфракрасный  
электрический  
обогреватель*

*Electric  
ceiling heater  
(infrared heater)*



Модели/Models:

TCH A9 1000  
TCH A9 1500  
TCH A9 2000  
TCH A9 2500  
TCH A9 3300

**Руководство по эксплуатации включает в себя гарантийный талон**

Outlook of devices, also colour scores can be revised without any special advance notices.

Производитель вправе менять внешний вид прибора и цветовую гамму прибора без специального уведомления.

## Dear customer!

Thank you for good choice and purchase of the **TIMBERK** infrared heater. It will serve long.

The **TIMBERK** electric infrared heater is designed for general, additional, or local heating of living and production premises of all types with ceiling height from 2.2 to 3.5 meters. The heater can be installed only on the ceiling or ceiling structural elements in horizontal position, where it can be connected to 220V~, 50Hz. single-phase power supply. This heating appliance is efficient and economic in use thanks to minimum losses of electric power.

## 1. IMPORTANT INFORMATION

Please carefully read the Operation Manual before using the infrared heater.

This Operation Manual contains the important information on your safety, as well as some recommendations on proper use of the appliance and its maintenance.

Keep the Operation Manual along with the warranty certificate, sales receipt, and, if possible, cardboard package and packing material.

The purchased infrared may somewhat differ from one described in the Manual, but this does not affect the methods of use and operation.



### IMPORTANT!

Important precautions and instructions given in this Manual do not include all possible modes and situations, which can be encountered. It is necessary to understand that common sense, cautiousness, and carefulness are the factors, which cannot be «integrated» to any product.

These factors should be considered by the person, who is interested in proper operation of the device. The manufacturer is not responsible for damage of the appliance or its components during transportation, as a result of incorrect installation, as a result of voltage surges, as well as in the event of changes or modifications in any part of the appliance.

## 2. PRECAUTIONS

During use of the infrared heater, it is necessary to observe some precautions. Improper operation with disregard of precautions may result in infliction of harm to health of the user and other people, as well as in infliction of damage to their property.

1. Read all instructions before using the heater.
2. Temperature of radiating boards during operation of the heater may reach 250 °C. To avoid burns, do not touch the appliance surface by hand and other body parts. It is also necessary to exclude the possibility of touching the heater radiating boards by a person (including accidental) via proper instructions and allocation of the heater in an inaccessible place.
3. The heater should be placed far from flammable and easily deformable objects.
4. The power cord and other objects should not contact hot surfaces of the heater.
5. Make sure that the heater body and its radiating boards get cold before demounting and placing the heater to the package for long storage.
6. During demounting of the heater or its movement, take special precautions to exclude hits of the appliance and its falling.
7. When the heater is not used for a long time, keep it in dry cool place in the factory cardboard package.
8. DO NOT COVER the heater. Do not dry clothes and any other fabrics/materials on the appliance. This may lead to its overheating, breakdown, or infliction of a significant damage to you and/or your property.



### IMPORTANT!

The manufacturer considers this type of failure a non-guaranteed event.

9. The heater should be connected to the electric mains equipped with an automatic circuit breaker.
10. Never connect the heater to the electric mains, if its surface is moist (wet).
11. Never try to repair the heater yourself. This may inflict harm to your health and affect the warranty service of the appliance.

12. It is prohibited to use the heater in rooms with explosive, dusty, or corrosive environment.
13. Exclude operation of the heater without grounding.
14. It is prohibited to switch on and use the heater with removed cover.
15. It is prohibited to install and use the heater in bathrooms, showers, or near swimming pools, where water jets and drops may directly get onto the appliance surface, when it is switched on.
16. It is prohibited to use the heater in dusty rooms and during redecoration.
17. It is prohibited to touch the heater radiating boards.
18. Use the heater only as described in this Manual. Any other use not recommended by the manufacturer may lead to fire, electric shock, or injuries of people.
19. Never clean the heater, when it is connected to the electric mains, and do not wipe the heater radiating boards with flammable liquids during its operation.
20. For normal operation of the heater, the mains voltage should be sufficient and the mains specifications should strictly correspond to the technical parameters indicated on the appliance body. If necessary, clarify the specifications of your mains from the electricity supplier.
21. Install and operate the heater in strictly horizontal position on the ceiling or ceiling structural elements. At that, thermal resistance of the ceiling coating material should be at least 80 °C.
22. It is prohibited to install the appliance in immediate proximity to an electric socket. This may result in its overheating causing an emergency situation.
23. The appliance is not designed for use by people (including children) with limited physical, sensory, or mental capabilities and having insufficient experience/knowledge, if they are not supervised and instructed on use of the device by a person responsible for their safety. It is necessary to watch that children do not play with the heater.

### 3. WORKING PARAMETERS

#### Operation principle

The infrared heater is an appliance with an electric heating element and radiating boards, which upon heating emit heat to the environment via directed infrared radiation. Radiant energy is absorbed by the surrounding

surfaces and it heats them being transformed to thermal energy. Surface temperature of objects can be different depending on their absorbing properties (surface color, material), incidence angle of infrared beams, surface shape and area. Surfaces also release some heat to air. At that, heated air flows up to the ceiling and gradually cools down. As a result, air temperature at the head level of a standing person appears below the floor temperature by 1-2 °C.

#### Main features

1. Significant economic effect as compared to convectional heating, where heat is significantly consumed for heating of unused roof space (first, air is heated throughout the room volume, and then air heats objects and surfaces in the room).
2. Capability of local heating only for those areas in the room, where it is necessary, without heating of the whole room volume.
3. Low air temperature in the room at comfortable temperature on surfaces of objects, floor, and walls creates the freshness effect air is not dried up.
4. Low convection (thermal movement of air volumes) reduces amount of dust kicked up from the floor.
5. Absence of the burnt air effect contrary to heaters with high temperature of the work surface.
6. You can buy & install additionally the following: Block of Remote Control together with Remote Control Handheld. This kind of block is available for TCH A1N series. Remote Control Block can switch on/off the heater, choose power mode (from 1 to 2), and also use timer settings. Using Remote Control, you will get more options than simple ceiling heater can provide like base function set.

#### Area of application

Infrared heaters are designed for general, additional, and local heating of industrial, production, utility, and similar rooms (flats, offices, trade enterprises, exercise rooms, educational institutions, public catering enterprises, storage facilities, hangars, agricultural facilities, etc.).

When these heaters are used in day-care services they can be used only for additional heating.

## Technical specifications

Table 1

Наименование	Ед. Изм.	Модель				
		TCH A9 1000	TCH A9 1500	TCH A9 2000	TCH A9 2500	TCH A9 3300
Power supply	V/Hz	220~/50	220~/50	220~/50	220~/50	220~/50
Rated power consumption	W	1000	1500	2000	2500	3300
Rated current	A	4,5	6,8	8,2	10,9	14,5
Water protection class	-	IP65	IP65	IP65	IP65	IP65
Electric protection class	-	Class I	Class I	Class I	Class I	Class I
Heating area	m <sup>2</sup>	10-12	15-17	18-20	23-25	31-33
Rated suspension height	m	2.5	2.7	3.0	3.5	3.8
Dimensions	mm	160x700x50	160x980x50	160x1160x50	160x1440x50	160x1850x50
Net	kg	3,3	4,2	4,9	5,9	7,5

\* - You can only choose between 2 power modes by using the block of remote control. It doesn't belong to standart set, should be bought separately.



### IMPORTANT!

The manufacturer reserves the right to change the set-list of the device (including liquid and powder components) for different supplies without prior notice. The changes either in no way influence the basic technical parameters of the device or may improve them, and also not violate the legislation or quality standards of the countries of manufacture, transit and selling.

The changes in the set-list may result in changing of the weight and dimensions of the device, but not more than by +/- 5-20% (depending on the product category)



### NOTE:

Heated area in the table is indicated for reference, since it depends both on the heater power, and on room type, ceiling height, wall/ ceiling materials, number and area of glazing, presence of doors, etc.

## 4. INFRARED HEATER DESCRIPTION

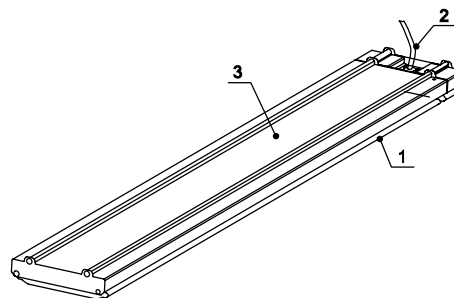


Fig.1

1. Radiating board
2. power cords
3. Cover

## 5. DELIVERY SET

1. Infrared heater - 1 pc.
2. Set of fasteners - 1 pc.
3. Operation manual and warranty certificate - 1 pc.



### NOTE:

To improve the product quality, the design and technical specifications of the infrared heater, as well as its delivery set can be modified by the manufacturer without preliminary notification.

## 6. INSTALLATION



### WARNING!

Mounting of the infrared heater and its connection to the electric mains should be carried out only by qualified specialists according to the Electrical Installation Regulations and Power System Safety Standards.

Minimum distances from heater to other surfaces the below diagrams confirm the minimum recommended clearances  
**Angled Wall Installation**

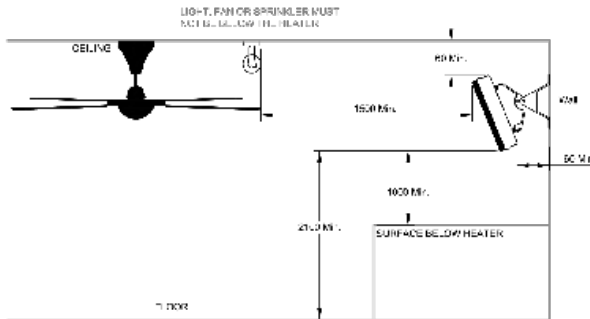


Fig.2

### Ceiling Installation

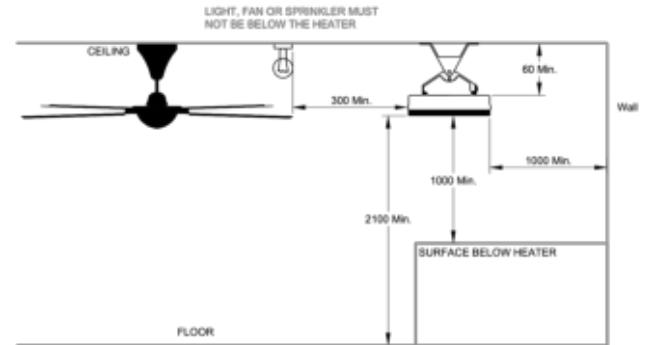


Fig.3

### Angled Ceiling Installation

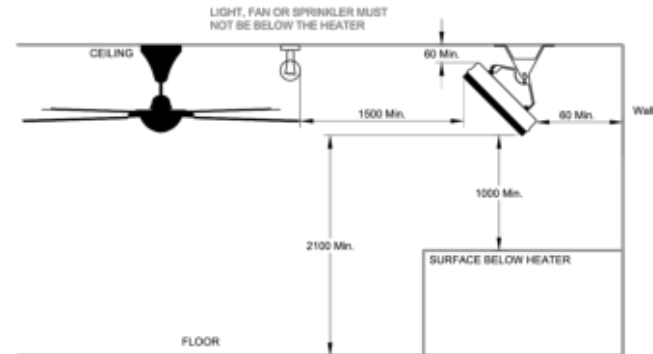


Fig.4

## Ceiling mount installation

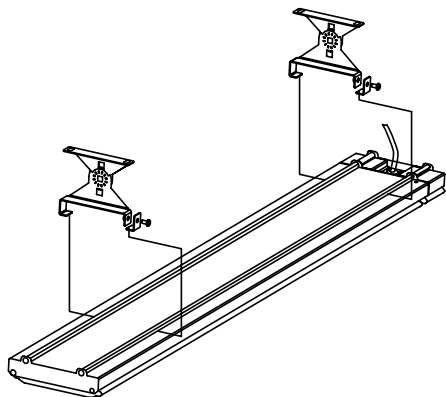


Fig.5

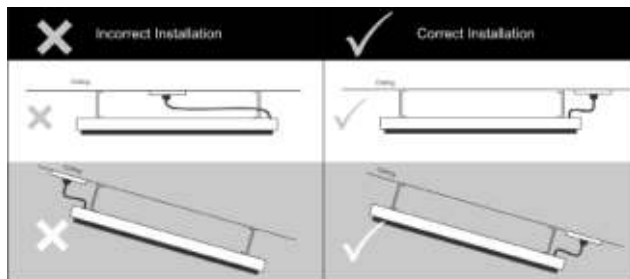


### IMPORTANT!

At long standing in the heated area, the distance from the heater radiating boards to a person or an animal at indoor air temperature below +11 °C should be at least 1.8 m.

### Infrared heater mounting

1. Open the factory package and carefully remove the heater from it.
2. Take the set of fasteners.
3. According to Figs. 2, 3, 4, select the heater installation place on the ceiling or ceiling structural elements with observation of minimum distances from objects and minimum distance from the floor.
4. Install the brackets at distance from each other according to Fig. 5, securing them using a chain or fasteners.
5. Suspend the heater on the brackets according to Fig. 5, first securing on edge, then another. Make sure that screws are tightened firmly.



CEILING



The heating surface must never be directed toward the ceiling.

Fig.6



### IMPORTANT!

Mounting of the infrared heater and its connection to the electric mains should be carried out only by qualified specialists according to the Electrical Installation Regulations and Power System Safety Standards.



### NOTE:

1. Depending on material and design of ceiling structural elements, the heater is secured onto appropriate fasteners chosen on basis of the strength condition. Strength of the ceiling or structural elements, to which the heater is secured, should be sufficient to endure 5-fold weight of the heater.
2. The heater can be installed on the wall and mounted on the height not less than 1.8 from the floor. Also it is obligatory to be installed an additional protection in order to avoid the contact with heating plates.



## IMPORTANT!

After installation of the heater and before switching for the first time, it is necessary to wipe the radiating board with alcohol. After that, it is **PROHIBITED** to touch the radiating board.

### CONNECTING TO THE MAINS

1. The heater is designed for connection to the single-phase 220 V~, 50 Hz electric mains equipped with a grounding loop.
2. Before connection, make sure that specifications of the electric mains at the connection point meet the parameters indicated on the appliance nameplate.
3. The electric mains should be equipped with an automatic circuit breaker with rated current not less than 16A
4. For connection of the heater to the electric mains, it is necessary to do the following:
  - remove the cover from the heater, cut a hole in the rubber seal, insert the electric cable to the heater, tightly fix the bare ends of the electric cable in the junction block of the heater with screws in strict correspondence with marking on the block, reinstall the cover.



## NOTE:

The instruction manual for remote control block is not included in the scope of delivery. Should be bought separately.



## IMPORTANT!

The power outlet should be rated at least 10A for models with a maximum capacity of up to 1800 W and at least 16A for models with a maximum capacity of more than 1800 W.

## 7. OPERATION

1. The heater is designed for connection to the single-phase 220 V~, 50 Hz electric mains equipped with a grounding loop.
2. Before connection, make sure that specifications of the electric mains at the connection point meet the parameters indicated on the appliance nameplate.
3. The electric mains should be equipped with an automatic circuit breaker with rated current not less than 16A
4. For connection of the heater to the electric mains, it is necessary to do the following:
  - remove the cover from the heater, cut a hole in the rubber seal, insert the electric cable to the heater, tightly fix the bare ends of the electric cable in the junction block of the heater with screws in strict correspondence with marking on the block, reinstall the cover.



## IMPORTANT!

Slight crackles may be heard during operation at the moment of heating or cooling, which disappear, when the heater reaches the working mode.



## NOTE:

Discoloration of paint on the heater body wall directed to the ceiling during operation is not a defect. Changing of color for heating plates is not defect.

## 8. MAINTENANCE

1. During operation, it is necessary to periodically (once a year) check the electric cable contacts and terminal connectors for good tightening.
2. If the body becomes dirty, wipe off dust with a towelette. Radiating boards should be wiped in cold condition with alcohol.



### NOTE:

Radiating boards should be wiped with a soft rag moistened in alcohol leaving no scratches on the surface. Use of other liquids is prohibited!

## 9. TROUBLESHOOTING

Possible malfunctions and remedies for them are given in Table 5.

Table 5

Malfunction	Cause	Remedy
1. The heater heats poorly	1. The heating element is faulty	1. Contact the authorized service center of Timberk
	2. Low voltage in the electric mains	2. Check voltage in the electric mains
2. The heater does not work	1. No voltage in the electric mains	1. Check presence of voltage in the electric mains
	2. Breakdown of the electric cable	2. Check integrity of the electric cable and replace it if necessary
	3. The automatic circuit breaker of the electric mains is faulty	3. Check operability of the automatic circuit breaker of the electric mains and replace the faulty circuit breaker if necessary
	4. Breakdown in the heating element circuit	4. Contact the authorized service center of Timberk

If you are not able to remedy a malfunction according to the recommendations or other malfunctions occur, contact the authorized service center of Timberk.

## 10. WIRING SCHEMATIC DIAGRAM

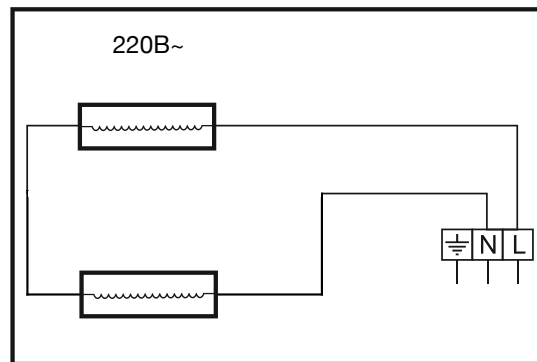


Fig.7

## 11. TRANSPORTATION AND STORAGE

Temperature requirements\*

Humidity requirements\*

Transportation and storage

From -30° to +50°

From 15% to 85% (without a condensate)

We are exploring new technologies and we constantly improving the quality of our products. That's why specifications, design and accessories are subject to change without any specific notice.

\* This product must have storage in dry, well-ventilated space of warehouse at the temperature not lower than -30°



## 12. DISPOSAL

Upon completion of the service life, the infrared heater should be disposed according to the effective local regulations, rules, and methods. For more details on disposal of the infrared heater, please contact a representative of the local authority.

## Уважаемый покупатель!

Благодарим Вас за удачный выбор и приобретение инфракрасного обогревателя TIMBERK. Он прослужит вам долго.

Электрический инфракрасный обогреватель TIMBERK предназначен для основного, дополнительного или локального обогрева жилых и производственных помещений всех типов. Обогреватель может быть установлен на потолке, потолочных конструкциях или на стене, в местах, где есть возможность подключения к электропроводке с однофазным электропитанием 220В~, 50Гц. Данный нагревательный прибор эффективен и экономичен в использовании в связи с минимальными потерями электроэнергии.

## 1. ВАЖНАЯ ИНФОРМАЦИЯ

Просим внимательно ознакомиться с руководством по эксплуатации перед использованием инфракрасного обогревателя. В данном руководстве по эксплуатации содержится важная информация, касающаяся вашей безопасности, а также рекомендации по правильному использованию прибора и уходу за ним.

Сохраните руководство по эксплуатации, вместе с гарантийным талоном, кассовым чеком, и, по возможности, картонной упаковкой и упаковочным материалом.

Приобретенный вами инфракрасный обогреватель может несколько отличаться от описанного в руководстве, что не влияет на способы его использования и эксплуатации.



### ВНИМАНИЕ!

Важные меры предосторожности и инструкции, содержащиеся в данном руководстве, не включают всех возможных режимов и ситуаций, которые могут встречаться. Необходимо понимать, что здравый смысл, осторожность и тщательность являются факторами, которые невозможно «встроить» ни в один продукт.



### ВНИМАНИЕ!

Эти факторы должен учитывать человек, который заинтересован в надлежащей эксплуатации устройства. Изготовитель не несет ответственности в случае повреждения прибора или его отдельных частей во время транспортировки, в результате неправильной установки, в результате колебаний напряжения, а также в случае, если какая-либо часть прибора была изменена или модифицирована покупателем.

## 2. МЕРЫ ПРЕДОСТОРОЖНОСТИ

При использовании инфракрасного обогревателя, необходимо соблюдать ряд мер предосторожности. Неправильная эксплуатация в силу игнорирования мер предосторожности может привести к причинению вреда здоровью пользователя и других людей, а также нанесения ущерба их имуществу.

1. Прочитайте все инструкции перед использованием инфракрасного обогревателя.
2. Температура нагревательного элемента при работе обогревателя может достигать 250°C. Чтобы избежать ожогов, не прикасайтесь руками и другими частями тела к поверхностям прибора, а также предотвратите возможность прикосновения, в том числе случайного, человека к поверхности и элементам обогревателя, с помощью инструктажа и размещения обогревателя в недоступном месте.
3. Обогреватель должен располагаться вдали от легковоспламеняющихся и легкодеформируемых объектов.
4. Не допускайте касания шнуром электропитания и другими предметами горячих поверхностей обогревателя.
5. Удостоверьтесь, что корпус обогревателя и нагревательный элемент остыли, прежде чем обогреватель будет демонтирован и уложен в упаковку для длительного хранения.
6. При демонтаже обогревателя или его перемещении соблюдайте особую осторожность, не допуская ударов прибора и его падения.
7. Когда обогреватель не используется долгое время, храните его в сухом прохладном месте в заводской картонной упаковке.

8. НЕ НАКРЫВАЙТЕ обогреватель. Не сушите на нём одежду и любые другие ткани и материалы. Это может привести к его перегреву, выходу из строя или причинить значительный ущерб Вам и/или вашему имуществу.



## ВНИМАНИЕ!

Производитель рассматривает данный вид поломок, как негарантийный случай.

9. Подключение обогревателя должно производиться к электрической сети с автоматическим выключателем.

10. Никогда не подключайте обогреватель к электросети, если его поверхность влажная (мокрая).

11. Никогда не пытайтесь производить ремонт обогревателя самостоятельно. Это может причинить вред вашему здоровью и повлиять на гарантийное обслуживание обогревателя. Во избежание опасности поражения электрическим током, поврежденный сетевой шнур должен меняться только в авторизованных сервисных центрах квалифицированными специалистами.

12. Запрещено эксплуатировать обогреватель в помещениях с взрывоопасной средой, с запылённой средой, а также со средой, вызывающей коррозию материалов.

13. Не допускайте эксплуатацию обогревателя без заземления.

14. Запрещено включать и эксплуатировать обогреватель со снятой крышкой.

15. Запрещено устанавливать и использовать обогреватель в ванных комнатах, душевых или бассейнах, именно в тех местах, где есть вероятность прямого попадания струй и капель воды на его поверхность во время, когда прибор включен.

16. Запрещено эксплуатировать обогреватель в запылённых помещениях и во время проведения ремонта.

17. Запрещено дотрагиваться до нагревательного элемента работающего (включенного на нагрев) обогревателя.

18. Используйте данный обогреватель только так, как описано в данном руководстве. Любое другое использование, не рекомендуемое изготовителем, может привести к пожару, поражению электрическим током или травмированию людей.

19. Ни в коем случае не выполняйте очистку обогревателя, когда он под-

ключен к электросети и не протирайте нагревательный элемент и корпус обогревателя легковоспламеняющимися жидкостями во время его эксплуатации.

20. Для нормальной работы обогревателя уровень напряжения в электросети должен быть достаточен, а ее технические параметры должны быть в строгом соответствии с техническими параметрами, указанными на корпусе прибора. При необходимости выясните характеристики своей сети у поставщика электроэнергии.

21. Устанавливайте и эксплуатируйте обогреватель на потолке, потолочных конструкциях или на стене, при этом термостойкость материала покрытия потолка должна быть не менее 80°C.

22. Запрещено устанавливать прибор в непосредственной близости от электрической розетки. Это может привести к её перегреву, что создаст аварийную ситуацию.

23. Прибор не предназначен для использования лицами (включая детей) с ограниченными физическими, сенсорными или умственными возможностями, обладающими недостаточным опытом и знаниями, если они не находятся под наблюдением и не получили инструкций по использованию устройства от лица, ответственного за их безопасность. Необходимо следить, чтобы дети не играли с обогревателем.

24. На поверхность прибора могут быть приклеены рекламные наклейки. Их необходимо удалить с поверхности перед началом эксплуатации прибора.

## 3. РАБОЧИЕ ХАРАКТЕРИСТИКИ

### Область применения

Инфракрасные обогреватели предназначены для основного, дополнительного и местного обогрева промышленных, производственных, бытовых и аналогичных помещений (квартиры, офисы, предприятия торговли, спортзалы, учебные заведения, предприятия общественного питания, склады, ангары, предприятия агропромышленного комплекса и т.п.). При применении в детских учреждениях только в качестве дополнительного обогрева.

## Технические характеристики

Таблица 1.

Наименование	Ед. Изм.	Модель				
		ТСН А9 1000	ТСН А9 1500	ТСН А9 2000	ТСН А9 2500	ТСН А9 3300
Параметры электропитания	В/Гц	220~/50	220~/50	220~/50	220~/50	220~/50
Номинальная потребляемая мощность	Вт	1000	1500	2000	2500	3300
Номинальная сила тока	А	4,5	6,8	8,2	10,9	14,5
Степень защиты	-	IP65	IP65	IP65	IP65	IP65
Класс электрозащиты	-	Class I	Class I	Class I	Class I	Class I
Площадь обогрева	м <sup>2</sup>	10-12	15-17	18-20	23-25	31-33
Номинальная высота подвеса	м	2,5	2,7	3,0	3,5	3,8
Размеры	мм	160x700x50	160x980x50	160x1160x50	160x1440x50	160x1850x50
Вес	кг	3,3	4,2	4,9	5,9	7,5

Более подробное описание технических параметров и характеристик смотрите на сайте [www.timberk.com](http://www.timberk.com) или спрашивайте у официальных дилеров TIMBERK.

## ВНИМАНИЕ!

Производитель оставляет за собой право для разных партий поставок без предварительного уведомления изменять комплектующие части изделия (включая заливаемые \ засыпаемые составляющие), не влияя при этом на основные технические параметры изделия или улучшая их, а также не нарушая изменениями принятые на территории страны производства \ транзита \ реализации стандарты качества и нормы законодательства.

Это может повлечь за собой изменение веса и габаритов изделия, но не более чем на +/- 5-20% (могут отличаться для разного вида изделий).



## ПРИМЕЧАНИЕ:

Площадь обогрева в таблице указана ориентировочно, т.к. площадь обогрева зависит не только от мощности обогревателя, но и от типа помещения, высоты потолка, материала стен, потолков, количества и площади остекления, наличия дверей и др.

## 4. ОПИСАНИЕ ИНФРАКРАСНОГО ОБОГРЕВАТЕЛЯ

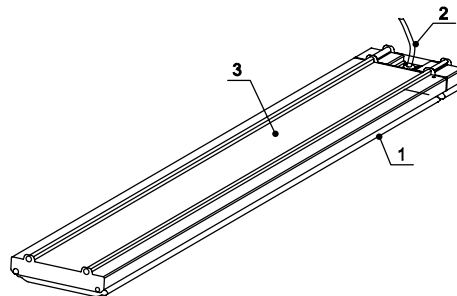


Рис.1

1. Излучающая пластина
2. Сетевой шнур
3. Корпус обогревателя

## 5. КОМПЛЕКТ ПОСТАВКИ

1. Инфракрасный обогреватель - 1 шт
2. Крепёжный комплект - 1 шт
3. Руководство по эксплуатации и гарантийный талон - 1 шт



### ПРИМЕЧАНИЕ:

Для улучшения качества продукции, конструкция и технические характеристики инфракрасного обогревателя, а также его комплектация могут быть изменены производителем без предварительного уведомления.

## 6. СБОРКА И УСТАНОВКА

**Минимальные расстояния от обогревателя до других поверхностей**

**Настенная установка с наклоном**

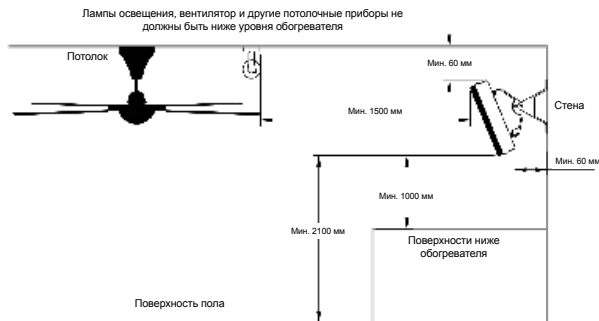


Рис.2

### Потолочная установка

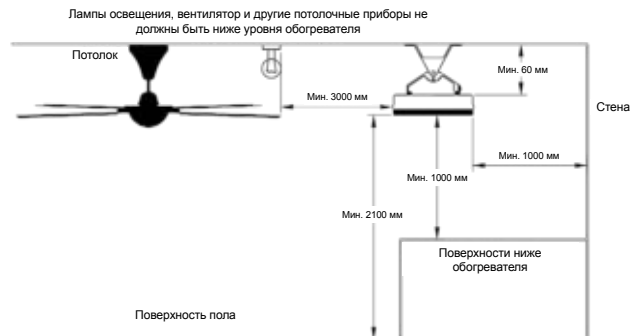


Рис.3

### Потолочная установка с наклоном

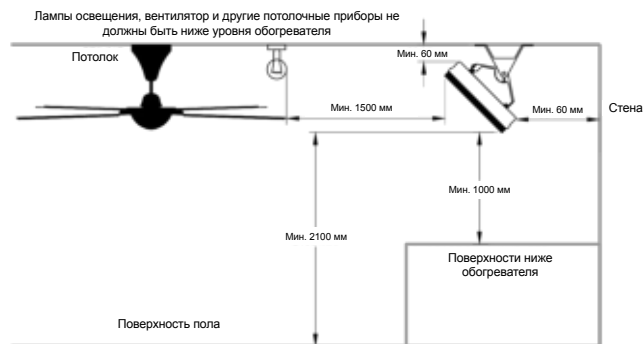


Рис.4

## Установка потолочных креплений

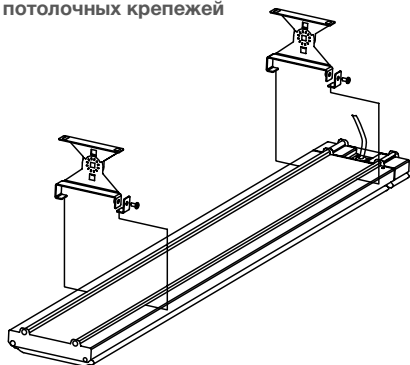


Рис.5

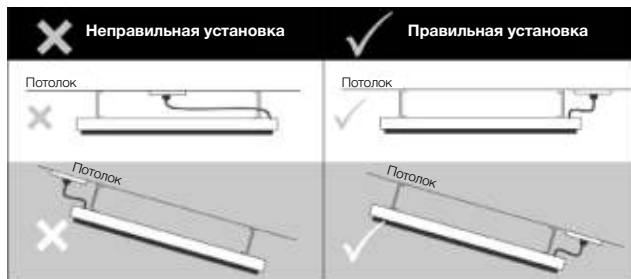


### ВНИМАНИЕ!

При длительном нахождении в зоне обогрева расстояние от излучающей пластины обогревателя до человека или животного при температуре воздуха в помещении ниже +11°C должно быть не менее 1 м - для обогревателя мощностью 1000 Вт, 1,5 м - для обогревателя мощностью 1500 Вт и 1800 Вт, 2,5 м - для обогревателя мощностью 2400 Вт и 3200 Вт.

## МОНТАЖ ИНФРАКРАСНОГО ОБОГРЕВАТЕЛЯ

1. Раскройте заводскую упаковку и аккуратно извлеките из неё обогреватель.
2. Достаньте крепёжный комплект.
3. В соответствии с рис. 2, 3, 4 определите место установки обогревателя на потолке или на потолочных конструкциях с соблюдением минимальных расстояний от предметов и минимального расстояния от пола.
4. Установите кронштейны на расстоянии друг от друга в соответствии с рис. 5, закрепив их с помощью цепи или крепежа.
5. Подвесьте обогреватель на кронштейны, закрепив сначала один край, а потом другой. Убедитесь, что винты надежно затянуты.



Никогда не направляйте нагревающую поверхность в сторону потолка

Рис.6



### ВНИМАНИЕ!

Работы по монтажу инфракрасного обогревателя и подключению его к электрической сети должны производить только квалифицированные специалисты в соответствии с «Правилами устройства электроустановок» и «Правилами техники безопасности при эксплуатации электроустановок».



### ПРИМЕЧАНИЕ:

1. В зависимости от материала и устройства потолочных конструкций, обогреватель крепится на соответствующие крепежные элементы, выбираемые из условия прочности. Прочность потолка, либо конструкций, за которые крепится обогреватель, должна быть достаточной, чтобы выдерживать 5-кратную массу обогревателя.

2. Конструкция инфракрасного обогревателя допускает его установку на стене на высоте не менее 2,1 м. от пола и с дополнительной защитой от контакта с нагревательным элементом прибора.



### ВНИМАНИЕ!

После установки обогревателя, перед первым включением необходимо протереть прибор и нагревательный элемент спиртом, после чего прикасаться к нагревательному элементу **ЗАПРЕЩЕНО**.

во избежание утечки электрического тока. Регулярно проверяйте, что электрическая вилка плотно подключена к розетке. Проверку производите в следующем порядке: вставьте электрическую вилку в розетку. Через полчаса работы выключите прибор и выньте вилку из розетки, проверьте рукой, не нагрелась ли вилка.

Если вилка нагрелась до температуры выше 50°C, во избежание повреждений, происшествий, возникновения пожара в результате плохого электрического контакта замените розетку на другую. Это должен делать специалист.



### ВНИМАНИЕ!

Наличие контура заземления в электрической сети и подключение к нему прибора обязательно!

### Подключение к электрической сети

1. Обогреватель предназначен для подключения к электрической сети с однофазным напряжением 220В~, 50Гц и контуром заземления.
2. Перед подключением убедитесь, что параметры электросети в месте подключения соответствуют параметрам, указанным на маркировочной табличке с техническими данными прибора.
3. Подключение обогревателя к электрической сети следует производить кабелем с сечением жил не менее 1,5 мм<sup>2</sup> и установкой в электрической сети автоматического выключателя рассчитанного на номинальный ток прибора.
4. Для подключения обогревателя к электрической сети необходимо вставить блок питания в розетку.
5. Электрическая розетка должна быть правильно заземлена. Розетка должна быть рассчитана на номинальный ток прибора. Электрические розетка и вилка должны всегда оставаться сухими

## 7. ЭКСПЛУАТАЦИЯ ИНФРАКРАСНОГО ОБОГРЕВАТЕЛЯ

1. Перед включением обогревателя следует тщательно протереть поверхность излучающих пластин сначала мягкой тряпкой, смоченной в спирте, а затем сухой.
2. После включения и выхода на рабочий режим, прибор начинает излучать инфракрасные лучи и обогревать предметы и тела.
3. Для исключения неприятного жженого запаха рекомендуется содержать обогреватель в чистоте, не допуская скапливания на нём пыли.



### ВНИМАНИЕ!

При эксплуатации могут быть слышны потрескивания в момент нагрева или остывания, исчезающие с выходом обогревателя на рабочий режим.



### ПРИМЕЧАНИЕ:

Дефектом не является изменение цвета краски на стенке корпуса обогревателя, обращённой к потолку, и изменение цвета излучающих пластин.



### ВНИМАНИЕ!

Для нормальной работы прибора уровень напряжения в электросети должен быть достаточен в строгом соответствии с указанными на приборе техническими параметрами. Внимательно изучите техническую наклейку, а также все наклейки со специальными предупреждениями, которые расположены на поверхности прибора.

## 8. ПРИНЦИПИАЛЬНАЯ ЭЛЕКТРИЧЕСКАЯ СХЕМА

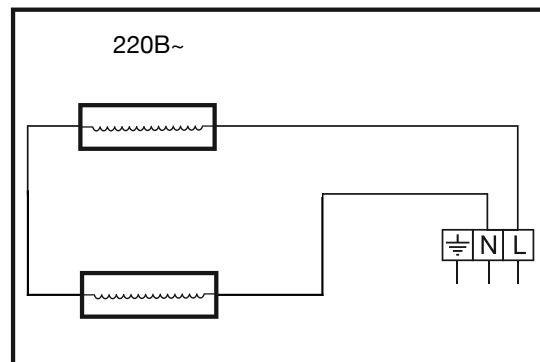


Рис.7

## 9. ОБСЛУЖИВАНИЕ

1. Перед проведением профилактических работ по чистке прибора, выключите прибор, отсоедините его от электрической сети и дайте прибору остыть.
2. При загрязнении корпуса пыль протирать влажной салфеткой, излучающие пластины, в холодном состоянии, протирать спиртом.
3. Протирайте прибор мягкой, слегка влажной тряпкой/куском ткани. Ткань не должна оставлять ворса на поверхности прибора
4. Не рекомендуется использовать моющие средства, в том числе средства с абразивными составами.
5. В процессе чистки, пожалуйста, не допускайте повреждения поверхности прибора острыми предметами (жесткая губка, наждачная бумага и т.п.). Царапины на окрашенной поверхности могут привести



к образованию ржавчины.

6. Включайте и используйте прибор снова, только выполнив все меры предосторожности, также обязательно убедитесь, что поверхность прибора абсолютно сухая.



### ПРИМЕЧАНИЕ:

Нагревательный элемент протирать мягкой тряпкой смоченной в спирте, не оставляющей после себя на поверхности царапин. Использование других жидкостей запрещено!

## 9. УСТРАНЕНИЕ НЕИСПРАВНОСТЕЙ

Возможные неисправности и методы их устранения приведены в таблице 2:

Таблица 2

Неисправность	Причина	Способ устранения
1. Обогреватель плохо греет	1. Неисправен нагревательный элемент	1. Обратиться в авторизованный сервисный центр «TIMBERK»
	2. Низкое напряжение в электросети	2. Проверить напряжение в электросети
2. Обогреватель не работает	1. Отсутствует напряжение в электросети	1. Проверить наличие напряжения в электросети
	2. Обрыв сетевого шнура	2. Проверить целостность сетевого шнура и при необходимости его замены обратиться в авторизованный сервисный центр «TIMBERK»
	3. Неисправен автоматический выключатель электрической сети	3. Проверить работоспособность автоматического выключателя электрической сети и при необходимости неисправный выключатель заменить
	4. Обрыв в цепи нагревательного элемента	4. Обратиться в авторизованный сервисный центр «TIMBERK»



## ГАРАНТИЙНЫЙ ТАЛОН



**Уважаемый покупатель!**

**Обратите внимание на необходимость вашей подписи на стр. 22**

*[www.timberk.com](http://www.timberk.com)*

## Гарантийные обязательства

**Гарантийное обслуживание и ремонт бытового электрического инфракрасного обогревателя TIMBERK с соблюдением требований и норм Изготовителя (TIMBERK) производится на территории РФ только в авторизованных сервисных центрах Изготовителя или мастерских, уполномоченных производителем и работающих с ним на основании договора.**

**Срок проведения экспертизы и гарантийного ремонта - не более 45 дней с момента приема дефектного изделия авторизованным сервисным центром TIMBERK.**

Если при эксплуатации изделия Вы столкнулись с неполадками в его работе, которые Вы не можете устранить самостоятельно в строгом соответствии с Руководством по эксплуатации изделия, обратитесь к региональному представителю Изготовителя в России или в региональный авторизованный сервисный центр TIMBERK, уточнив адрес у продавца.

Полный перечень сервисных центров указан на сайте: [www.timberk.com](http://www.timberk.com) или приложен отдельным списком в комплекте с изделием.

Также Вы можете обратиться в уполномоченную сервисную службу Изготовителя по телефону: +7 (495) 627-5285, либо по телефонам, указанным на сайте: [www.timberk.com](http://www.timberk.com), или отправить сообщение по электронному адресу: [ru.service@timberk.com](mailto:ru.service@timberk.com)

Если отсутствие надлежащим образом заполненного гарантийного талона на изделие или отсутствие чека с указанием изделия не позволяет идентифицировать изделие и факт его продажи на территории РФ, то Изготовитель вправе отказать в гарантийном обслуживании изделия.

При невозможности определить дату продажи изделия, гарантийный срок исчисляется с даты его производства.

Дата производства изделия определяется по реестру Изготовителя в соответствии с серийным номером изделия.

Официальный срок службы бытового инфракрасного обогревателя TIMBERK, установленный изготовителем, составляет 8 лет, со дня передачи изделия потребителю.

Указанный срок службы действителен только при условии соблюдения правил эксплуатации и правильного ухода за изделием.

Во избежание недоразумений убедительно просим Вас внимательно изучить Руководство по эксплуатации изделия и условия гарантийных обязательств, проверить правильность заполнения бланка гарантийного талона. Согласно требованиям Изготовителя, гарантийный талон действителен только при наличии четко и правильно указанных данных: модели, серийного номера изделия, даты покупки, данных фирмы-продавца, подписи покупателя. Соответствующие данные также должны быть указаны продавцом на отрывных талонах.

Модель и серийный номер изделия (на маркировочной (идентификационной) наклейке Изготовителя на изделии (TIMBERK ID) должны соответствовать указанным в гарантийном талоне продавцом. При нарушении этих условий, а также в случае, когда данные, указанные в гарантийном талоне, изменены или стерты, талон может быть признан недействительным.

Данным гарантийным талоном Изготовитель подтверждает принятие на себя обязательств по удовлетворению законных требований потребителей в случае обнаружения недостатков изделия, возникших по вине Изготовителя в течение установленного гарантийного срока.

Гарантийный срок для бытового инфракрасного обогревателя TIMBERK, установленный изготовителем, составляет 1 год, со дня передачи изделия потребителю.

Гарантийные обязательства дополняют и уточняют оговоренные законом обязательства, предполагающие соглашение сторон либо договор; выдаются Изготовителем в дополнение к законным правам потребителей и ни в коей мере их не ограничивают.

Гарантия Изготовителя действительна только на территории РФ на изделия, купленные на территории РФ и изготовленные для РФ.



### ВНИМАНИЕ!

Если изделие использовалось в соответствии с его целями применения, установленными Руководством по эксплуатации, в рамках осуществления предпринимательской деятельности, то гарантийный срок изделия составляет 3 (три) месяца с момента продажи изделия или 5 (пять) месяцев с момента производства изделия, если дата продажи не установлена\*.

## Изготовитель оставляет за собой право:

- отказать в гарантийном сервисном обслуживании изделия в случае несоблюдения изложенных ниже условий (см. «Досрочное прекращение гарантийного обслуживания»);
- самостоятельно инициировать независимую экспертизу для выяснения обстоятельств, приведших к выходу прибора из строя;
- сравнивать предоставленную маркировочную (идентификационную) наклейку изделия (TIMBERK ID) с данными реестров производства для проверки соответствия серийного номера изделия уникальным производственным номерам реестров;

Просим Вас хранить Гарантийный талон в течение всего гарантийного срока, установленного Изготовителем на приобретенное Вами изделие.

При покупке изделия требуйте от продавца проверку его комплектности и отсутствия механических повреждений в Вашем присутствии, а также правильного и четкого заполнения данного гарантийного талона. Претензии по некомплектности и выявленным механическим повреждениям после продажи изделия не принимаются.

Для гарантийного ремонта предъявляйте данный Гарантийный талон вместе с товарным (кассовым) чеком или другим документом, подтверждающим дату и факт продажи изделия на территории РФ.

Установка, подключение и запуск в эксплуатацию изделия допускается исключительно специалистами и организациями, имеющими лицензии или соответствующие разрешения (допуски) на данный вид деятельности, либо специалистами и организациями, авторизованными для монтажа и/или обслуживания данного вида техники.

О необходимости проведения тех или иных монтажных и/или сервисных работ специализированными организациями Вы можете узнать, внимательно ознакомившись с Руководством по эксплуатации на приобретенное Вами изделие. Для монтажа приобретенного оборудования Вы можете воспользоваться платной услугой специалистов авторизованных сервисных центров Timberk, которые проведут все необходимые работы для длительного и безопасного использования приобретенного Вами изделия.

Вы можете также воспользоваться услугами любых других квалифицированных специалистов, однако, в этом случае, если изделие вышло из строя вследствие неправильной установки и подключения, Вы теряете право на бесплатное гарантийное обслуживание.

## Досрочное прекращение гарантийного обслуживания.

Все условия гарантийного обслуживания регулируются Законодательством РФ и Законом РФ «О защите прав потребителей». В частности, отказ в бесплатном гарантийном обслуживании изделия может быть вызван:

- нарушением при оформлении гарантийного талона при продаже изделия;
- отсутствием товарного или кассового чека о продаже изделия или невозможностью определить продавца изделия;
- наличием следов механических повреждений, возникших после передачи изделия потребителю и явившихся возможной причиной возникновения дефекта;
- наличием повреждений, вызванных несоответствием стандартам параметров питающих сетей и других подобных внешних факторов, а также вызванных использованием нестандартных, неоригинальных (или некачественных), запасных частей, элементов и т.д.;
- нарушением правил Руководства по эксплуатации данного изделия;
- наличием следов несанкционированного вскрытия и/или ремонта изделия, повлекших за собой отказ в работе изделия;
- дефектом или отказом системы или ее части, где изделие использовалось как часть системы и это могло привести к дефекту или отказу изделия.

## Гарантийные обязательства не распространяются на перечисленные ниже части и принадлежности изделия:

- монтажные приспособления и документацию, прилагаемую к изделию;
- материалы, наклеенные на изделие, имеющие рекламное или информационное назначение, за исключением маркировочной (идентификационной) наклейки Изготовителя (Timberk ID).



## ВНИМАНИЕ!

Если в результате экспертизы/диагностики изделия установлено, что его недостатки возникли вследствие обстоятельств, за которые не отвечает продавец (изготовитель), либо недостатки в товаре отсутствуют, Потребитель обязан возместить продавцу (изготовителю или уполномоченной изготовителем организации) расходы на проведение экспертизы (диагностики), а также связанные с ее проведением расходы на хранение и транспортировку товара в соответствии с Законом РФ «О защите прав потребителей» № 171-ФЗ в ред. от 21.12.2004 ст. 18 п.5.

### Изготовитель не несет гарантийных обязательств за изделие в следующих случаях:

- если изделие использовалось в иных целях, не соответствующих его прямому назначению в соответствии с Руководством по эксплуатации;
- если на изделии отсутствует маркировочная (идентификационная) табличка Изготовителя (TIMBERK ID);
- если изделие имеет следы несанкционированного вскрытия, не предусмотренного Руководством по эксплуатации, и попыток неквалифицированного ремонта;
- если дефект вызван изменением/нарушением конструкции или схемы изделия, не предусмотренным Изготовителем;
- если обнаружены повреждения, вызванные попаданием внутрь изделия посторонних предметов, веществ, жидкостей, насекомых, скоплением большого количества пыли;
- если обнаружены повреждения, вызванные подключением к электрической сети с недопустимыми параметрами;
- если дефект вызван действием непреодолимых сил, несчастными случаями, умышленными или неосторожными действиями потребителя или третьих лиц;
- неправильного хранения изделия.

Изготовитель снимает с себя любую ответственность за возможный вред, прямо и или косвенно нанесенный продукцией TIMBERK людям, домашним животным, и имуществу, в случаях, если это произошло в ре-

зультате несоблюдения правил и условий эксплуатации или вследствие неквалифицированного, обслуживания и ремонта изделия, умышленных или неосторожных действий потребителя или третьих лиц.



## ВНИМАНИЕ!

Если маркировочная (идентификационная) наклейка на изделие TIMBERK (TIMBERK ID) закреплена на изделии не плотно и существует риск ее утери, то вклейте ее в гарантийный талон на последней странице.

Изготовитель/импортер/продавец не несут ответственности в случае возникновения недостатков изделия из-за неправильных/некачественных монтажных, пусконаладочных, сервисных, профилактических работ выполненных неавторизованными организациями и специалистами.

Гарантийные обязательства Изготовителя не распространяются на случаи:

- если изделие эксплуатировалось в положении, отличном от указанного в Руководстве по эксплуатации на данный прибор;
- если неисправность изделия возникла в результате попадания внутрь изделия посторонних предметов, веществ, жидкостей, насекомых, скоплением большого количества пыли;
- если в процессе эксплуатации был затруднен проход воздуха через вентиляционные отверстия и решетки (например, прибор накрывался какими-либо предметами, шторами, производилась сушка одежды, большое скопление пыли снаружи и внутри прибора и т.д.)



## ПРИМЕЧАНИЕ:

Пожалуйста, потребуйте от продавца полностью, четко и правильно заполнить бланк Гарантийного талона.

## Бланк гарантийного талона.

Заполняется фирмой-продавцом

Изделие	
Модель	
Серийный номер	
Дата продажи	
Фирма-продавец	
Адрес фирмы продавца	
Телефон фирмы продавца	

**Без подписи покупателя Гарантийный талон является недействительным.**



Печать фирмы-продавца
--------------------------

Заполняется сервисным центром

«А»

Дата приема	
Дата выдачи	
Особые отметки	

Печать сервисного центра
-----------------------------

«Б»

Дата приема	
Дата выдачи	
Особые отметки	

Печать сервисного центра
-----------------------------

«В»

Дата приема	
Дата выдачи	
Особые отметки	

Печать сервисного центра
-----------------------------

«Г»

Дата приема	
Дата выдачи	
Особые отметки	

Печать сервисного центра
-----------------------------

Подписывая данный гарантийный талон, Покупатель признает, что он:

1. Проверил заполнение информации.
2. Получил Руководство по эксплуатации на изделие на русском языке.
3. Владеет всей необходимой информацией о приобретенном изделии и его потребительских свойствах, характеристиках в соответствии со статьей 10 Закона РФ «О защите прав потребителей».
4. Ознакомлен и полностью согласен с условиями и ограничениями гарантийного обслуживания, а также с условиями установки / подключения / сервисного обслуживания / эксплуатации приобретенного изделия.
5. Не имеет претензий к внешнему виду / комплектности / работоспособности (если прибор проверялся в его присутствии при продаже) приобретенного изделия.

Подпись покупателя (с расшифровкой)

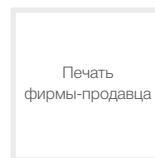
\_\_\_\_\_ / \_\_\_\_\_ /

Дата \_\_\_\_\_

**Отрывной талон«А»**

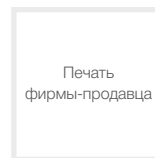
Изделие	
Модель	
Серийный номер	
Дата продажи	
Фирма-продавец	

Заполняется фирмой-продавцом

**Отрывной талон«Б»**

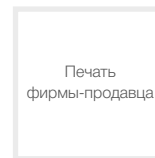
Изделие	
Модель	
Серийный номер	
Дата продажи	
Фирма-продавец	

Заполняется фирмой-продавцом

**Отрывной талон«В»**

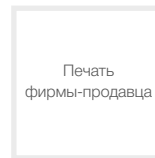
Изделие	
Модель	
Серийный номер	
Дата продажи	
Фирма-продавец	

Заполняется фирмой-продавцом

**Отрывной талон«Г»**

Изделие	
Модель	
Серийный номер	
Дата продажи	
Фирма-продавец	

Заполняется фирмой-продавцом



Дата приема	
Дата выдачи	
Номер заказа-наряда	
Проявление дефекта	
Мастер	
Код неисправности	

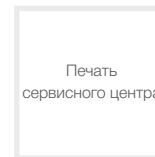
Заполняется сервисным центром



Печать  
сервисного центра

Дата приема	
Дата выдачи	
Номер заказа-наряда	
Проявление дефекта	
Мастер	
Код неисправности	

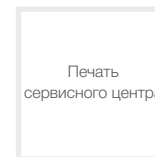
Заполняется сервисным центром



Печать  
сервисного центра

Дата приема	
Дата выдачи	
Номер заказа-наряда	
Проявление дефекта	
Мастер	
Код неисправности	

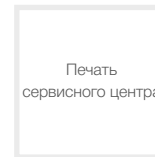
Заполняется сервисным центром



Печать  
сервисного центра

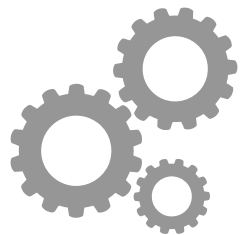
Дата приема	
Дата выдачи	
Номер заказа-наряда	
Проявление дефекта	
Мастер	
Код неисправности	

Заполняется сервисным центром



Печать  
сервисного центра





[www.btpart.ru](http://www.btpart.ru)

Все расходные материалы для продукции TIMBERK вы можете приобрести на сайте [www.btpart.ru](http://www.btpart.ru)

**Уважаемый покупатель!**

Timberk предоставляет вам специальный сервис в рамках программы клиентской поддержки. Теперь вы всегда сможете заказать и оформить доставку на запасные части и расходные материалы, необходимые для оптимальной, качественной работы техники TIMBERK в течение всего срока службы на едином портале [www.btpart.ru](http://www.btpart.ru).

Всю информацию о работе портала вы также всегда сможете увидеть на сайте [www.timberk.com](http://www.timberk.com). Мы искренне надеемся, что этот уникальный дополнительный сервис поможет вам сделать жизнь с Timberk еще удобнее!



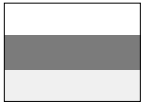
**RU**

**Руководство по эксплуатации  
техники Timberk написано  
на английском языке и  
переведено на русский язык.**



**BY**

В целях информирования покупателей техники Timberk, мы дополнительно сообщаем, что русский является государственным языком в следующих государствах:



**OS**

- в Российской Федерации
- в Республике Беларусь наряду с белорусским языком
- в частично признанной Южной Осетии наряду с осетинским языком



**KZ**

Русский язык является официальным языком (во всех случаях другой язык или другие языки выступают как государственный или второй официальный) в следующих государствах и на территориях:



**AK**



**KG**

- в Республике Казахстан
- в Киргизской Республике
- в административных единицах Украины, где доля носителей русского языка составляет более 10%, при соответствующем решении местных советов
- в Автономной Республике Крым



**UA**



**TJ**

В Республике Таджикистан русский язык признан по Конституции языком межнационального общения.



**CIS**

Официальным языком международной организации Содружество Независимых Государств (СНГ) является русский язык.



Если вы заметили ошибку в инструкции, пожалуйста, сообщите нам об этом, связавшись с нами по электронной почте, указанной на сайте [www.timberk.com](http://www.timberk.com)

If you found any mistake in this manual please let us know by email listed on [www.timberk.com](http://www.timberk.com)



[www.timberk.com](http://www.timberk.com)

**EAC**