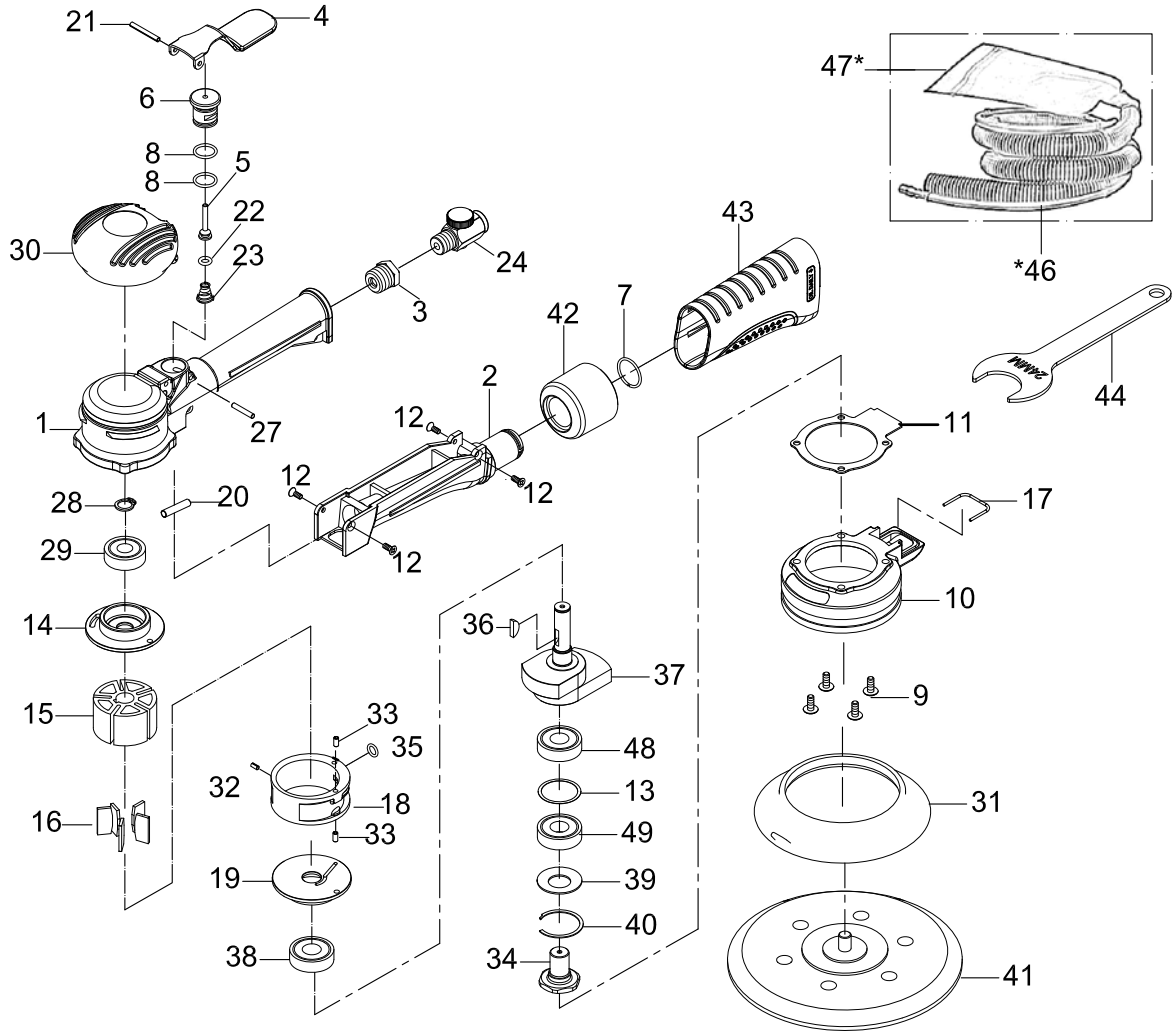


6" TWO HANDS SANDER



Index No.	Parts No.	Description	Index No.	Parts No.	Description
1	66-613201	Housing	24	61558	Regulator
2	66-6132A02	Vacuum Adapter	27	PN03001708	Pin (3×17.8L)
3	30103	Air Inlet	28	66-6132A12	Retainer Ring
4	66-6132A04	Throttle Lever	29	06000ZZ	Ball Bearing (6000zz)
5	66-6132A05	Valve	30	66-6132A30	Rubber Hat
6	66-613206	Bushing	31	66-6132A31	Shroud
7	OR01705105	O-Ring (17.5×1.5)	32	70117-13	Spring Pin (2×5L)
8	OR01200105-V	O-Ring(2) (12×1.5)	33	63062	Spring Pin(2) (3×6L)
9	66-6132A09	Screw(4) (M4×10)	34	66-6132A34	Shaft
10	66-6132A10	Plastic Shroud	35	40333-V	O-Ring (6×1.5)
11	66-6132A11	Gasket	36	61934	Key (3×13)
12	61035	Screw(4) (M3×8)	37	66-6132A37	Balancer Shaft
13	66-6132A13	Washer	38	06001ZZ	Ball Bearing (6001zz)
14	66-6132A14	Rear End Plate	39	60-613139	Washer
15	66-6132A15	Rotor	40	60-613135	Snap Ring
16	66-5137C16	Rotor Blade(5)	41	60-613142	Pad (6")
17	66-6132A17	Rubber Strip	42	60-613146	Swivel Exhaust
18	66-6132A18	Cylinder	43	66-6132A52	Grip
19	66-6132A19	Front End Plate	44	66-6132A54	Spanner
20	66-6132A20	Brass Tube	*46	EH-6133ASUB	Self-Vacuum
21	30102	Spring Pin (3×24)	*47	66-6132A47	Self-Vacuum Bag
22	70107-V	O-Ring (P5)	48	06001	Ball Bearing (6001)
23	51208	Spring	49	06001P	Ball Bearing (6001P)

*optional part

66-5132A-0001