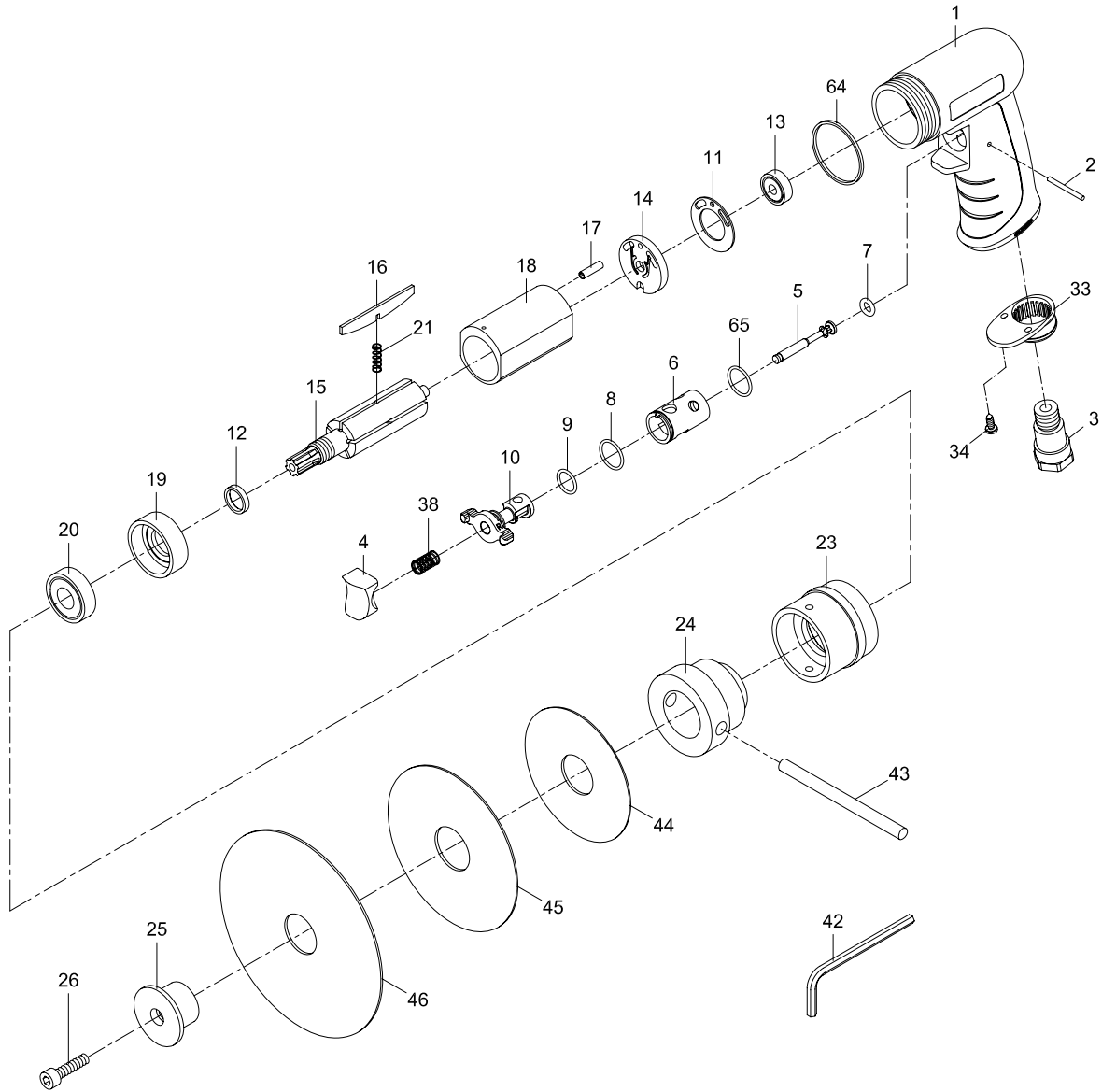


# REVERSIBLE HIGH SPEED SANDER



Index No.	Parts No.	Description	Index No.	Parts No.	Description
1	60-7254A01	Motor Housing	19	60-7251A19	Front End Plate
2	822202	Pin (2.5x26.8)	20	060313	Ball Bearing (6001zz)
3	75-725303	Air Inlet	21	822346	Spring (5)
4	75-725304	Trigger	23	60-7251A23	Clamp Nut
5	75-725305	Valve Stem	24	60-660324	Hub
6	75-725306	Valve Bushing	25	61-660326	Flange Washer
7	72807-12	O-Ring (4.5x2.5)	26	60-660325	Screw (L M5x20)
8	795820	O-Ring (15.5x1.5)	33	70110-21	Exhaust Diffuser
9	80209	O-Ring (12x1.6)	34	40309	Screw (2) (TS2.9)
10	75-725310	Reverse Lever	38	82208	Valve Spring
11	60-725311	Motor Gasket	42	10014	Hex.Key Wrench (4mm)
12	76012	Rotor Bush	43	66025	Rod
13	030113	Ball Bearing (626zz)	44	66027	Pad (3")
14	60-725314	Rear End Plate	45	66028	Pad (4-1/2")
15	60-7251A15	Rotor	46	66029	Pad (5-1/2")
16	5J-842316	Rotor Blade (5)	64	75-725351	Decoration Ring
17	206106	Spring Pin (2.5x12)	65	72009	O-Ring (15.7x1.7)
18	82018-12	Cylinder			

\* Optional Parts

60-7254A-0001