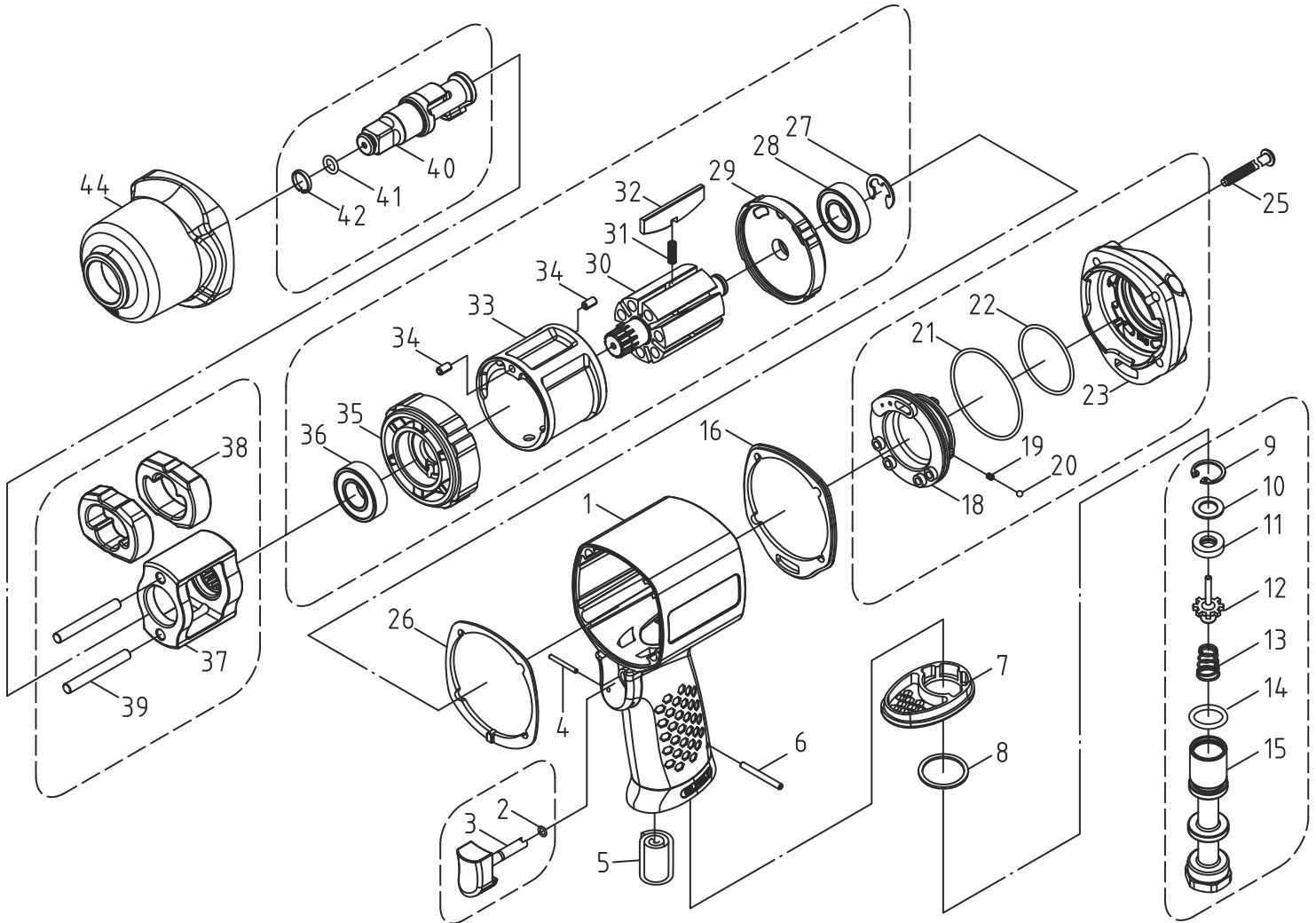


Technical Details	Speed	Square Drive	Max. Torque	Length	Weight	Air Consumption	Air Inlet	Noise (DB)	Uncertainty(DB)	Vibration	Working Pressure
	RPM		Nm/ft-lb	mm/inch	kg/lb	LPM / CFM	inch	LpA LwA	KpA KwA	m/s ²	Bar / PSI
2420 I	8,500	1/2	1283 (950)	179 (7.0)	1.6 (3.5)	158(5.5)	1/4	93.4 1044	3	7.45	6.(90)



Index No.	Description	Quantity	Index No.	Description	Quantity	Index No.	Description	Quantity
1	Housing	1	16	Packing	1	33	Cylinder	1
2	O-Ring	1	18	Reverse Lever	1	34	Spring Pin	2
3	Trigger	1	19	Spring	1	35	Front Plate	1
4	Spring Pin	1	20	Steel Ball	1	36	Ball Bearing	1
5	Muffler Filter	1	21	O-Ring	1	37	Hammer Cage	1
6	Spring Pin	1	22	O-Ring	1	38	Hammer	2
7	Exhaust Deflector	1	23	Cover	1	39	Hammer Pin	2
8	Washer	1	25	Screw	4	40	Anvil	1
9	Retaining Ring	1	26	Packing	1	41	O-Ring	1
10	Washer	1	27	E-Ring	1	42	Anvil Collar	1
11	Oil Seal	1	28	Ball Bearing	1	44	Front Casing	1
12	Pin Valve Rod	1	29	Rear Plate	1			
13	Cone Spring	1	30	Rotor	1			
14	O-Ring	1	31	Spring	7			
15	Air Inlet	1	32	Blade	7			

* Due to our continuous improvement, all specifications are subject to change without prior notice.