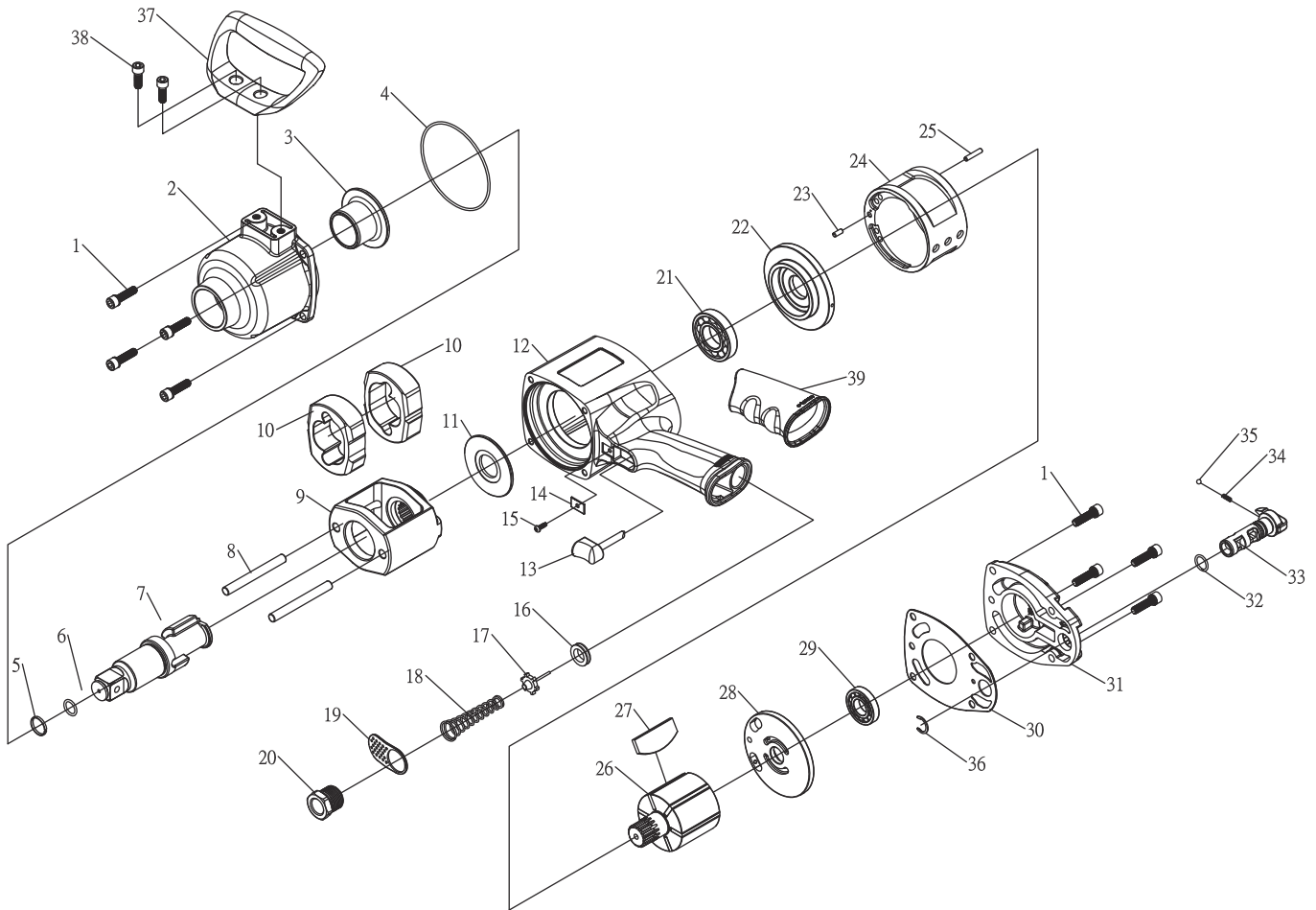


Technical Details	Speed	Square Drive	Max. Torque	Length	Weight	Air Consumption	Air Inlet	Noise (DB)	Uncertainty (DB)	Vibration	Working Pressure
	RPM		Nm/ft-lb	mm/inch	kg/lb	LPM / CFM	inch	LpA LwA	KpA KwA	m/s <sup>2</sup>	Bar / PSI
<b>28209</b>	4,500	1	2,440 (1,800)	240 (9.4)	5.5 (12.1)	--	3/8	--	--	--	6.2(90)
<b>28209L</b>			1,761 (1,300)	392 (15.4)	6.3 (13.9)						



Index No.	Description	Quantity	Index No.	Description	Quantity	Index No.	Description	Quantity
01	Screw	8	14	Trigger Retainer	1	28	Rear Plate	1
02	Hammer Housing	1	15	Screw	1	29	Ball Bearing	1
03	Anvil Bushing	1	16	Throttle Bushing	1	30	Gasket	1
04	O-Ring	1	17	Valve Stem	1	31	Housing Cap	1
05	Socket Retainer	1	18	Spring	1	32	O-Ring	1
06	Retainer O-Ring	1	19	Exhaust Deflector	1	33	Reverse Valve	1
07	Standare Anvil 1"	1	20	Inlet Bushing	1	34	Spring	1
07A	6" Extended Anvil 1"	1	21	Ball Bearing	1	35	Steel Ball	1
08	Hammer Pin	2	22	Front Plate	1	36	Retainer	1
09	Hammer Cage	1	23	Cylinder Pin	1	37	Handle	1
10	Hammer Dog	2	24	Cylinder	1	38	Screw	2
11	Hammer Frame Rear Spacer	1	25	Cylinder Pin	1	39	Grip	1
12	Motor Housing	1	26	Rotor	1			
13	Trigger	1	27	Rotor Blade	6			